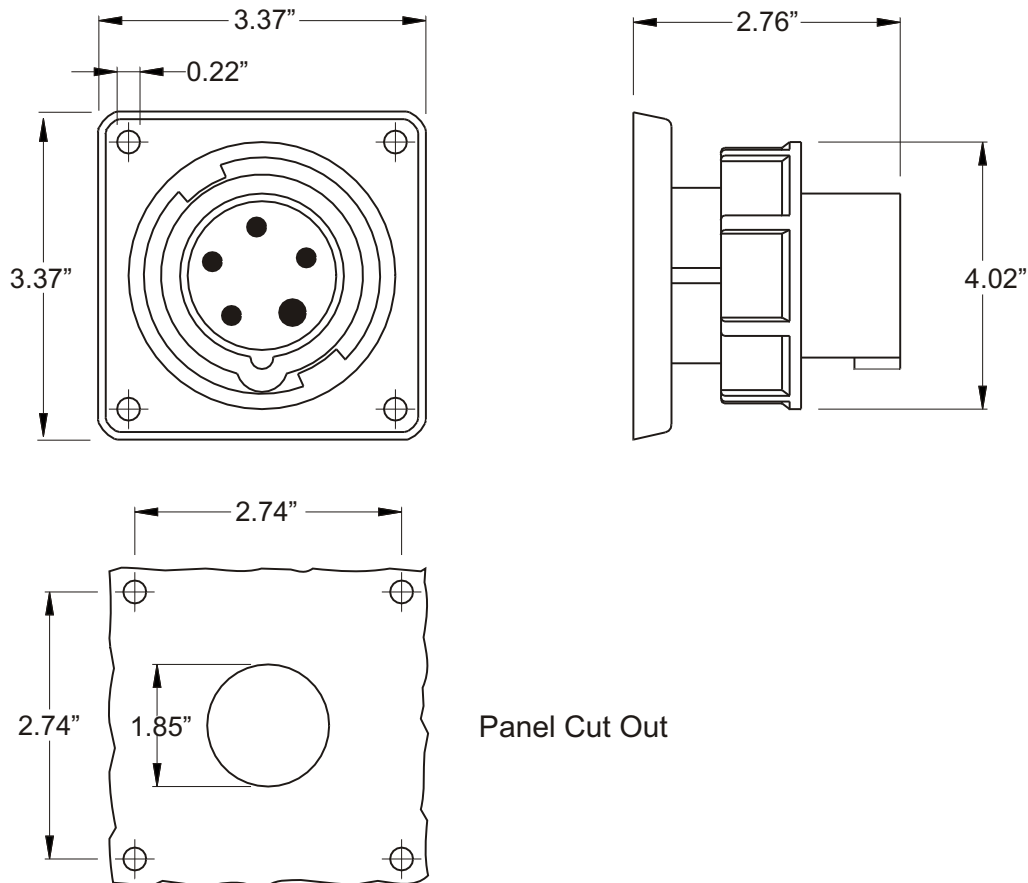


**INLET, PANEL MOUNTING**

|                      |  |
|----------------------|--|
| <b>Part No.</b>      | ME 530B7W  |
| <b>Description:</b>  | 30 Amp 3 Y 277/480Vac 4 Pole, 5 Wire Inlet   |
| <b>Construction:</b> | Watertight IEC IP 67   |
| <b>Approvals:</b>    | UL Listed Standards 1682; 1686<br>CSA Certification to Spec. C22.2 No. 182.1<br>IEC 60309-1; IEC 60309-2 |

**IEC COLOR CODE:** Red

**GROUND SOCKET:** 5 Hour Position Mates with Female in 7 Hour Position.



Wire Range: #8 - #12 AWG

Drawing Not to Scale